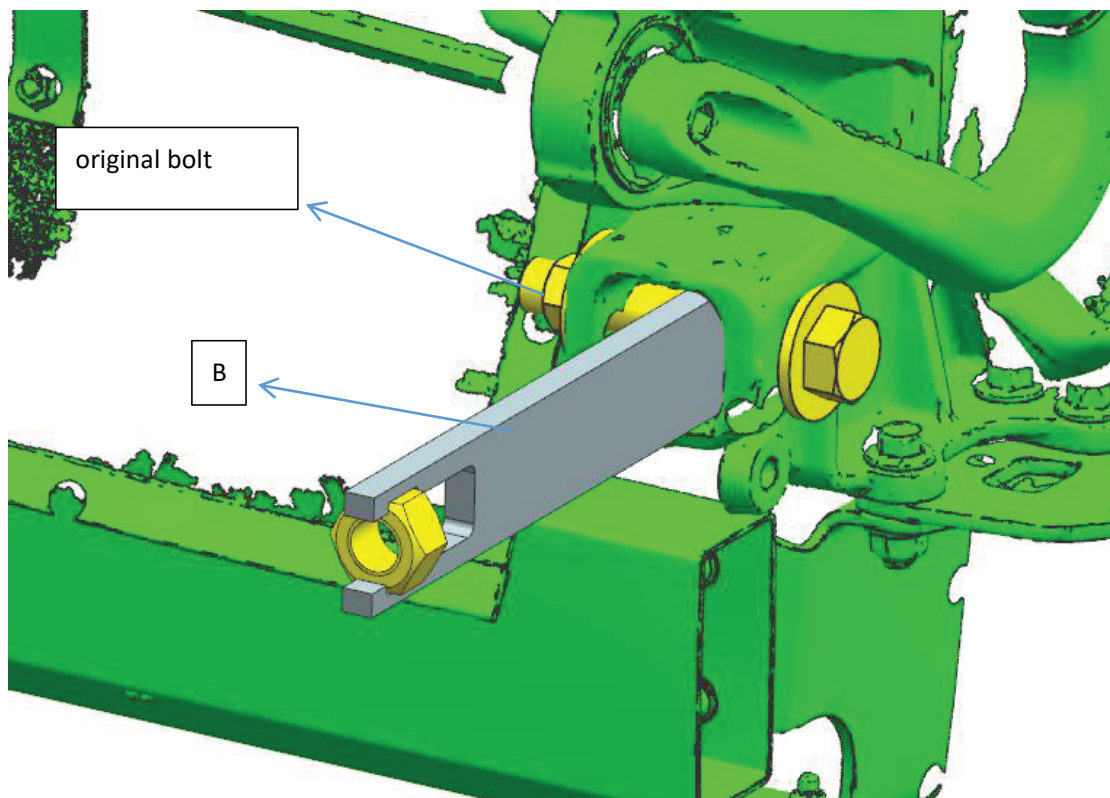
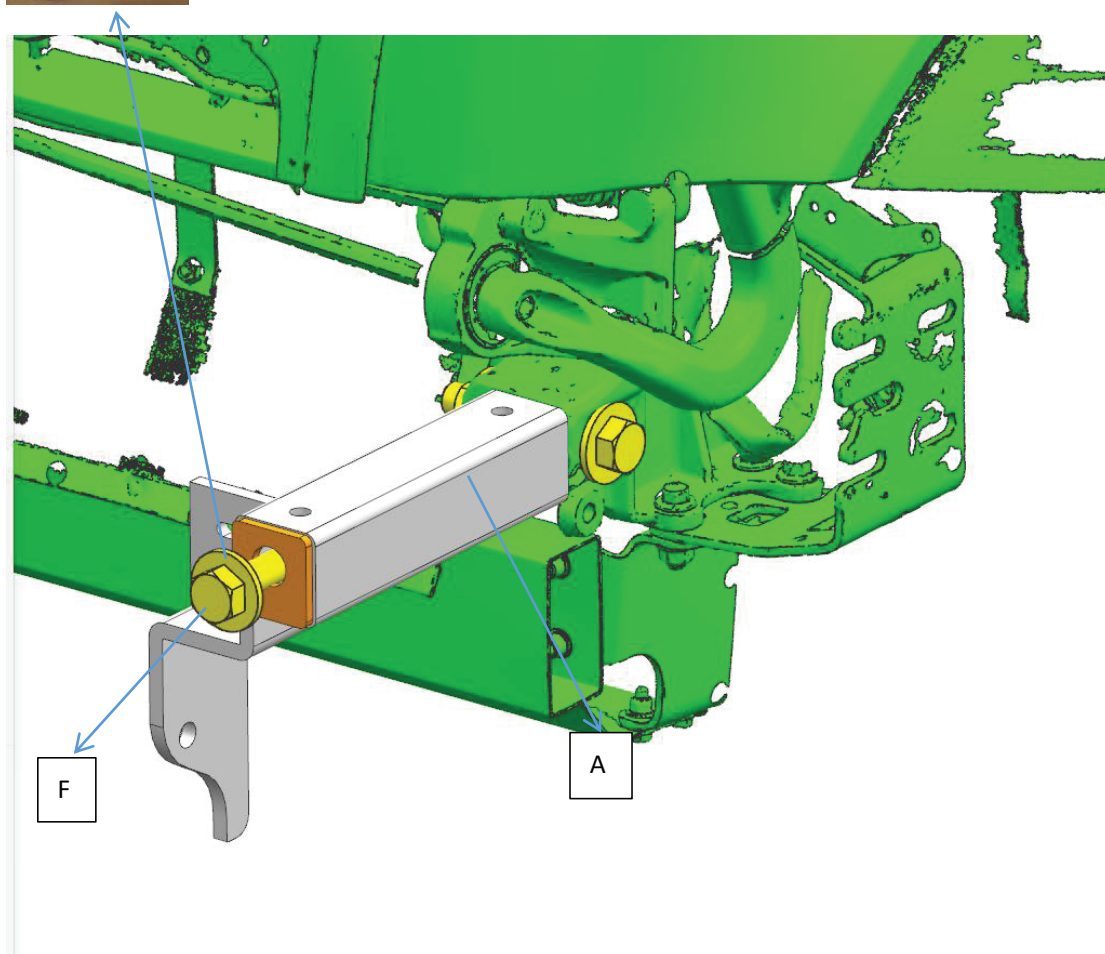


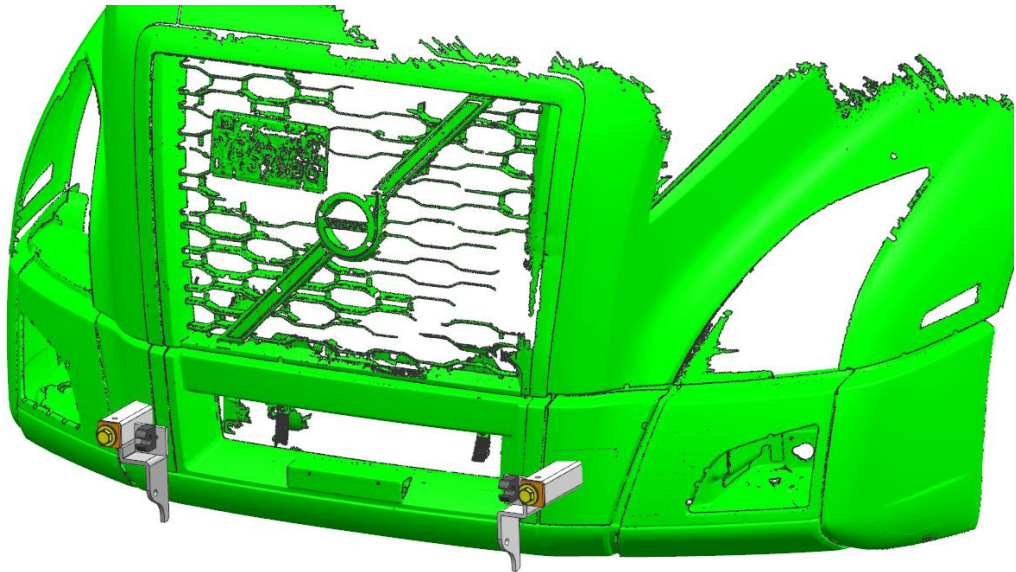
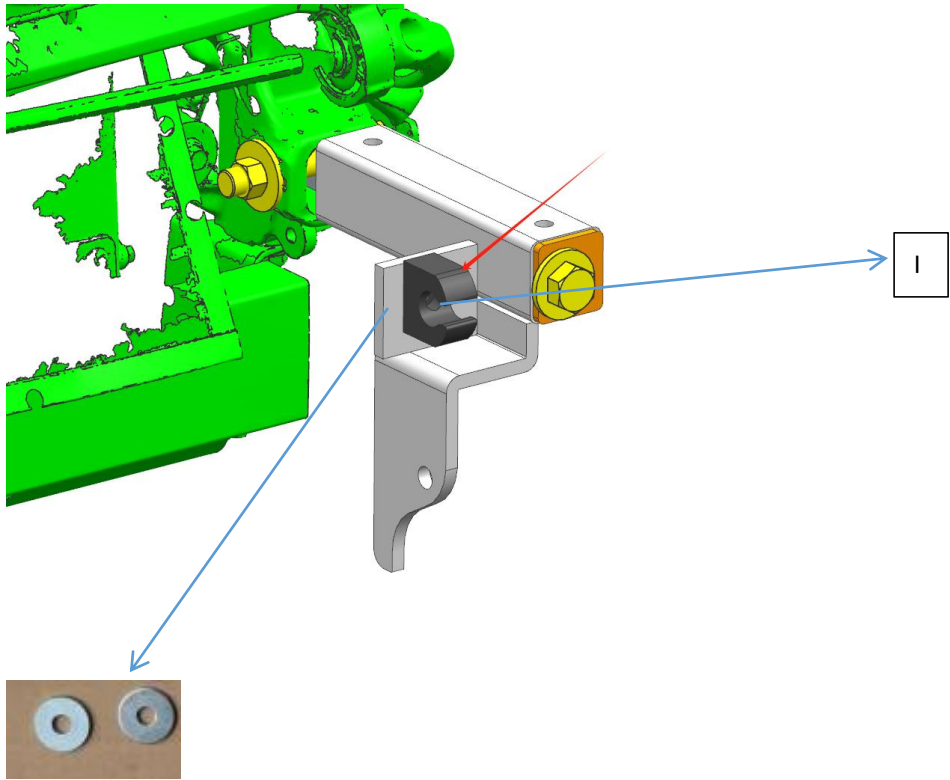
1、 connect stent and truck beam.(use original bolt on the truck)



2、 After installing the stent , install the left and right swing arms (A) .and use screw tighten the parts.



3、 Use M8 bolts to install the buffer pad



4、 After installing the mounting kit , just install the guard

