

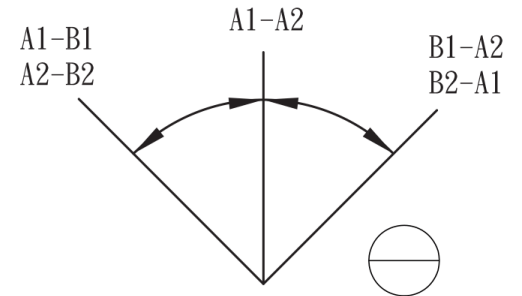
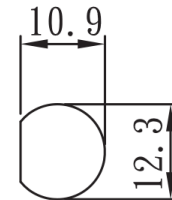
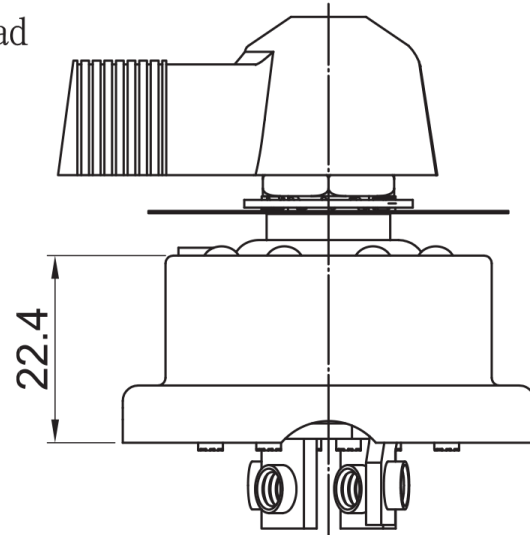
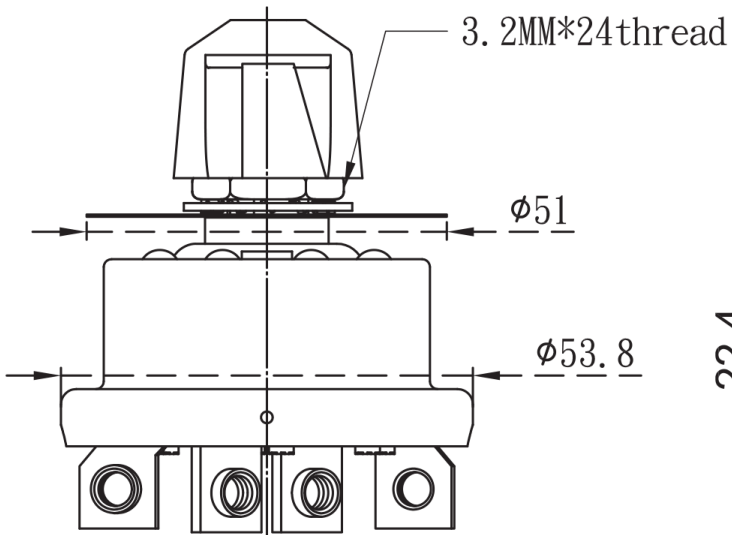
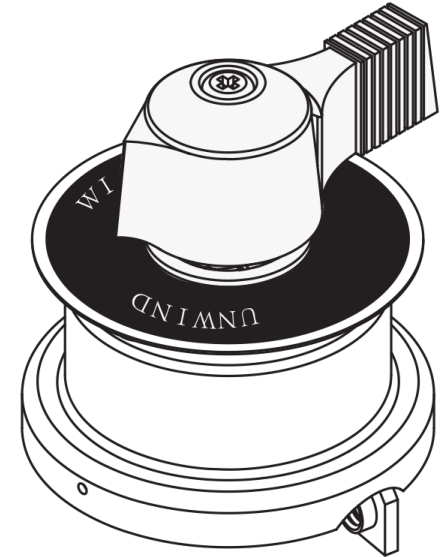
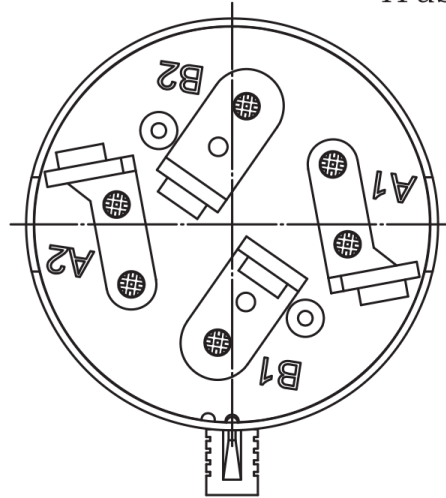




Truss head combo 3/16x3/8x24thread zinc plated  x4

5mm spring washer zinc plated  x4



MOUNTING HOLE
 (*Mounting Hole Sizes refer to product, installation tolerance needs to be considered)