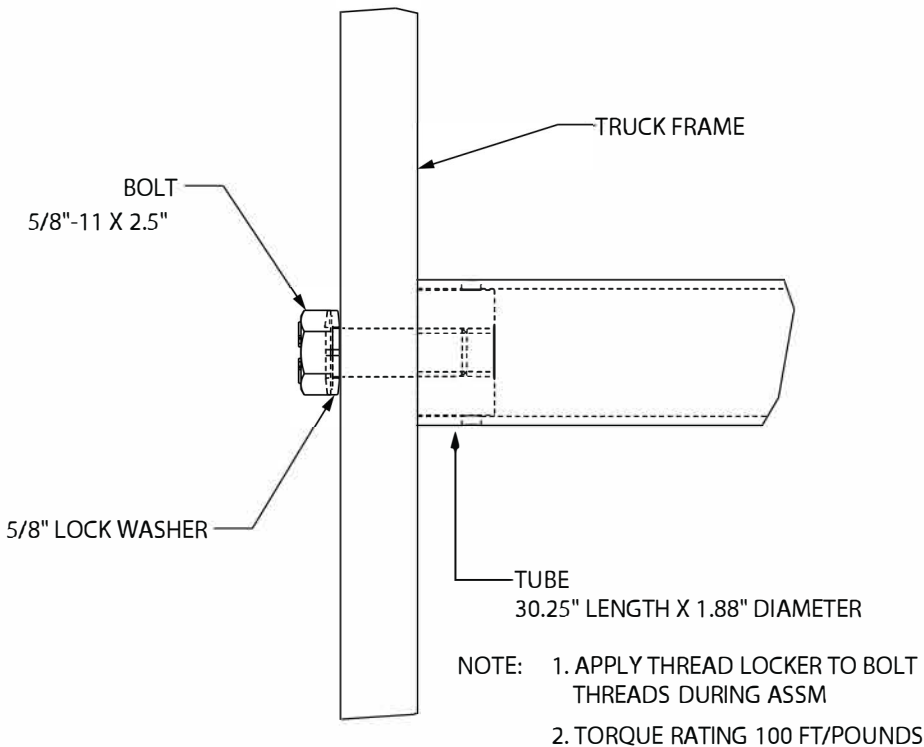
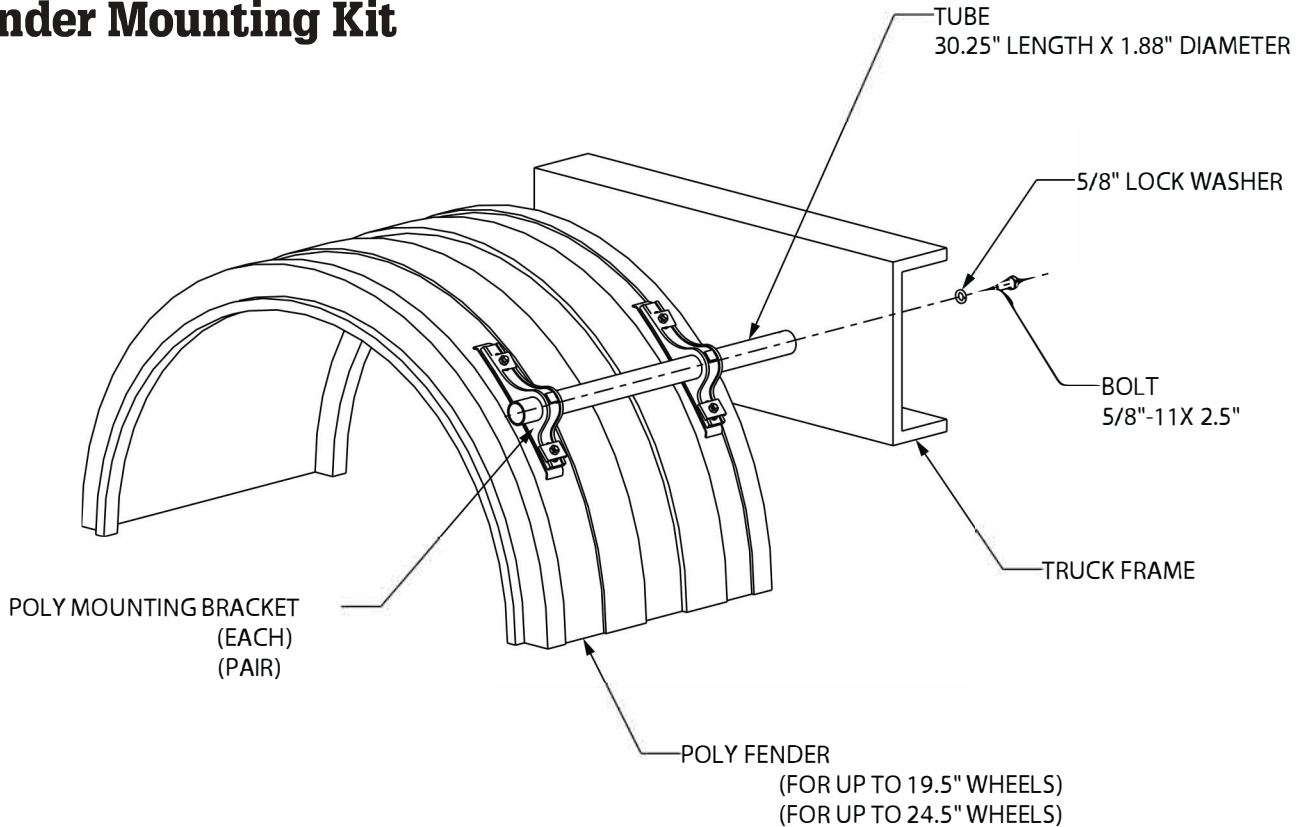


# Installation Diagram

## Fender Mounting Kit



### WARRANTY

Mytee Products Cargo Control has a 90 day manufacturing warranty. Item will be replaced; no money back will be issued. Manufacturing warranty does not cover damage done from improper use.

If you return an item within the first 30 days in "Like New" condition, you will be eligible for a full refund. Original shipping charges will not be refunded. If your order qualified for free shipping then original shipping costs would be charged at the time of return.

If you receive an incorrect item that was due to a mistake made by Mytee Products, please send a picture to [customerservice@myteeproducts.com](mailto:customerservice@myteeproducts.com) along with your Invoice number, Name, the best phone number to reach you and a brief description of what is incorrect. We will contact you immediately to rectify the situation.

If you receive a damaged item, do not open the item. Take a picture and send it to [customerservice@myteeproducts.com](mailto:customerservice@myteeproducts.com) along with your Invoice number, Name, and the best phone number to reach you and we will call you to exchange the item. If the item has been opened and damage is then noticed, please take a picture and send to the email address above and we will contact you.