

Storage Shelter

SS203012 20'x30'x12'

W6.1xL9.1xH3.66m

Assembly Instructions



RECOMMENDED TOOLS



Please read instructions **COMPLETELY** before assembly. This shelter **MUST** be securely anchored. THIS IS A TEMPORARY STRUCTURE AND NOT RECOMMENDED AS A PERMANENT STRUCTURE.

Before you start: 4+ individual recommended for assembly, approximate time 4 hr.

ATTENTION:

This shelter product is manufactured with quality materials. It is designed to fit our custom fabric cover included. Our shelters offer storage and protection from damage caused by sun, light rain, tree sap, animal - bird excrement and light snow. Please anchor this structure properly. See manual for more anchoring details. Proper anchoring, keeping cover tight and free of snow and debris is the responsibility of the consumer. Please read and understand the installation detail, warnings and cautions prior to beginning installation. If you have any questions contact your local dealer.

DANGER:

Prior to installation, choose the location of your shelter carefully.

DANGER: Keep away from electrical wires.

Check for overhead utility lines, tree branches or other structures. Check for underground pipes or wires before you dig. DO NOT install near roof lines or other structures that could shed snow, ice or excessive run off onto your shelter. DO NOT hang objects from the roof or support cables.



WARNING:

Risk of fire. DO NOT smoke or use open flame devices (including grills, fire pits, deep fryers, smokers or lanterns) in or around the shelter. DO NOT store flammable liquids (gasoline, kerosene, propane, etc.) in or around your shelter. Do not expose top or sides of the shelter to open fire or other flame source.



CAUTION:

Use **CAUTION** when erecting the frame. Use safety goggles during installation. Secure and bolt together overhead poles during assembly. Beware of pole ends.

PROPER ANCHORING AND INSTALLATION OF FRAME:

PROPER ANCHORING OF THE FRAME IS THE RESPONSIBILITY OF THE CONSUMER.

We are not responsible for damage to the unit or the contents from acts of nature. Any shelter that is not anchored securely has the potential to fly away causing damage, and is not covered under the warranty. Periodically check the anchors to ensure stability of shelter. We cannot be responsible for any shelter that blows away.

NOTE: *Your shelter's cover can be quickly removed and stored prior to severe weather conditions.* If strong winds or severe weather is forecast in your area, we recommend removal of cover.

CARE AND CLEANING:

A tight cover ensures longer life and performance. Always maintain a tight cover. Loose fabric can accelerate deterioration of cover fabric. Immediately remove any accumulated snow or ice from the roof structure with a broom, mop or other soft-sided instrument. Use extreme caution when removing snow from cover- always remove from outside the structure. DO NOT use hard-edged tools or instruments like rakes or shovels to remove snow. This could result in punctures to the cover. DO NOT use bleach or harsh abrasive products to clean the fabric cover. Cover is easily cleaned with mild soap and water.



WARRANTY:

This shelter carries a full limited warranty against defects in workmanship. We warrant to the Original Purchaser that if properly used and installed, the product and all associated parts, are free from manufacturer's defects for a period of:

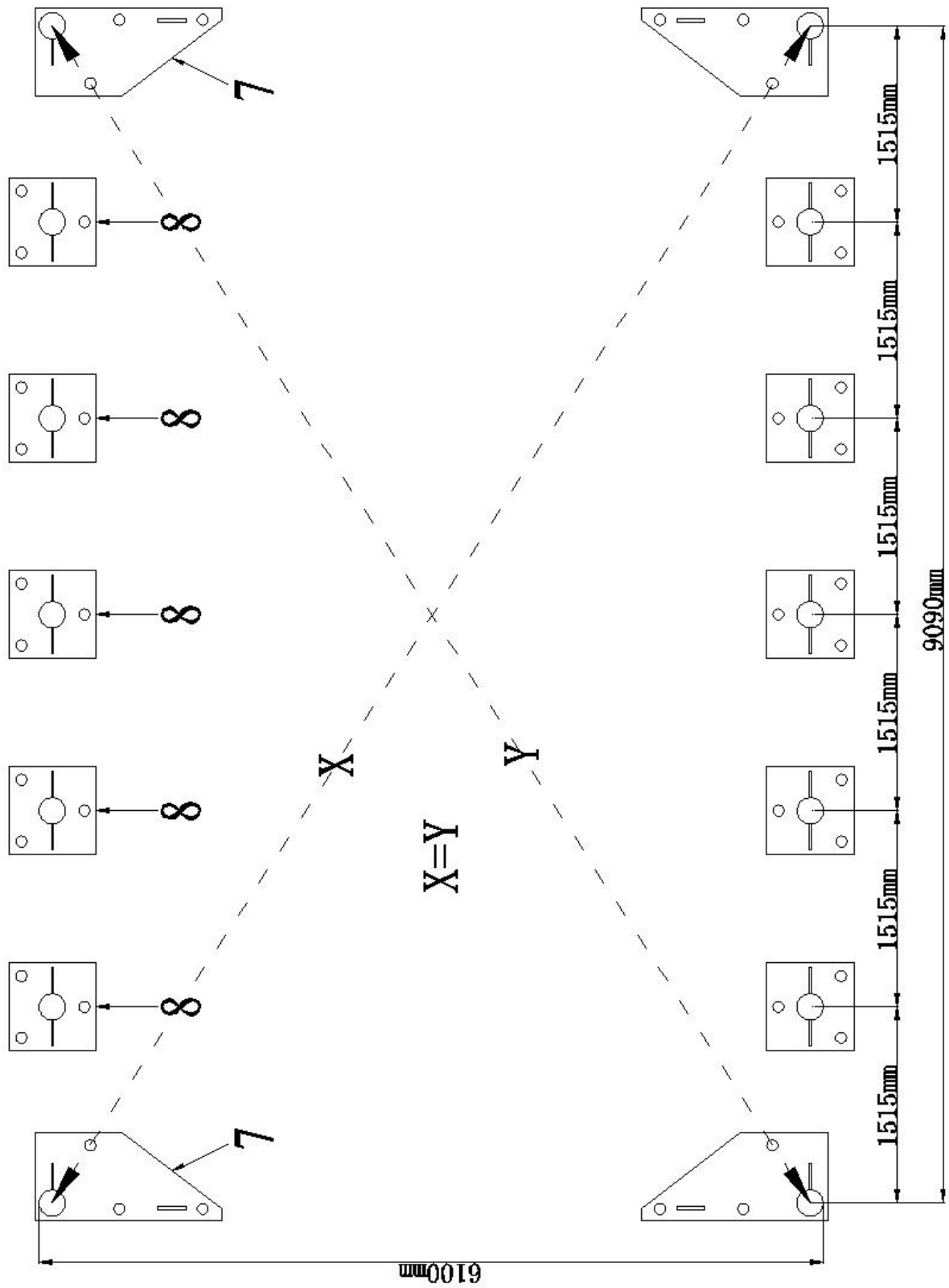
1 YEAR FOR COVER FABRIC, END PANELS AND FRAMEWORK

Parts List for Storage Shelter 203012(W6.1xL9.1xH3.66m)

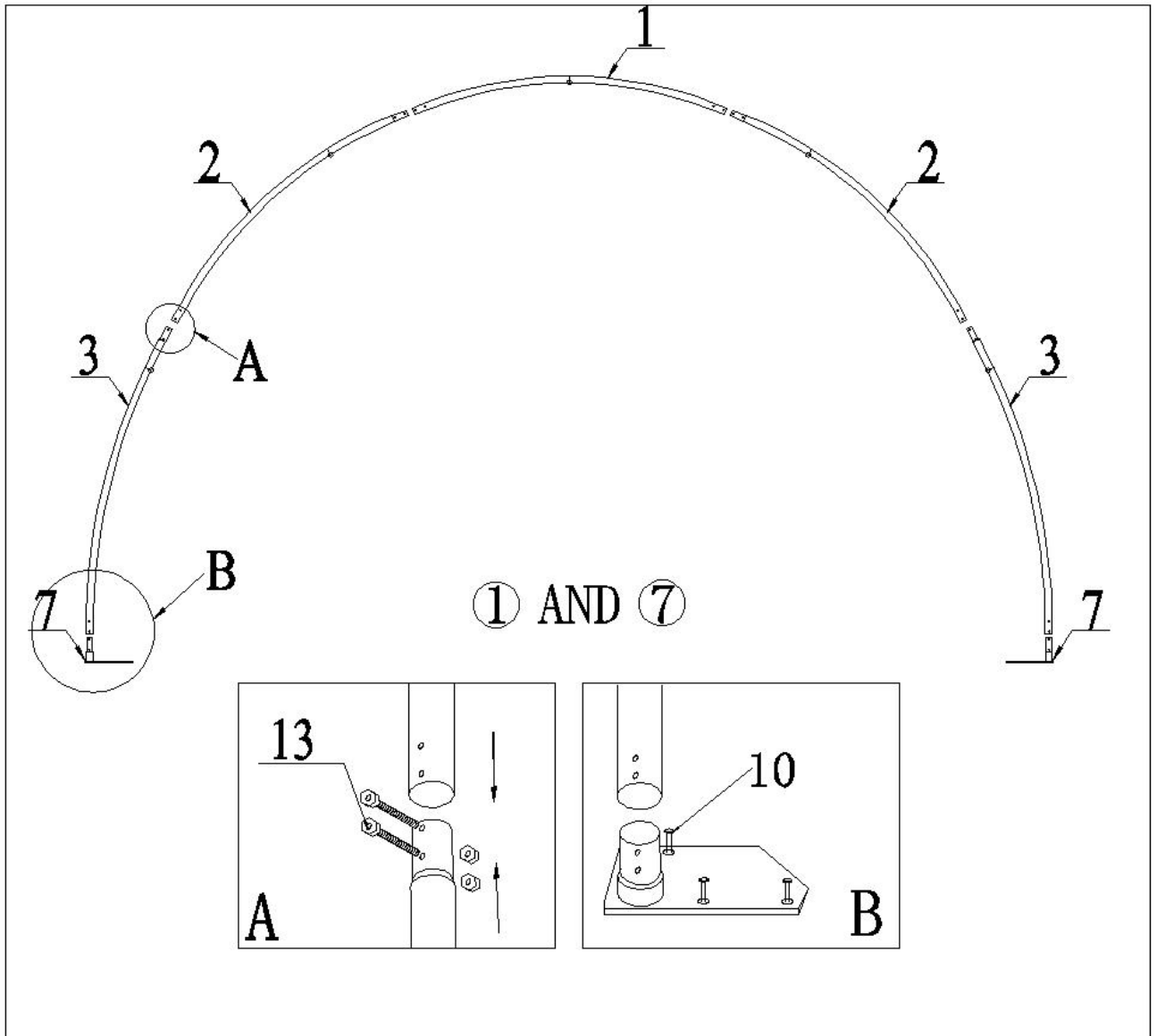
Part Code	Description	Qty (PC)
1	Roof Bent Joist	7
2	Middle Bent Joist	14
3	Lower Bent Joist	14
4	Roof & Sidewall Purlin	30
5	Lower Tensioning Tube	12
6	Support Tube	2
7	Base Plate for four corners	4
8	Base Plate for interior arches	10
9	Tube Clip for support tube No.6	4
10	Stake Peg	42
11	Roof Cover	1
12	Front & Back Cover	1 each
13	Bolt M8X60 for joist	84
14	Carriage Bolt M8X70 for purlin	35
15	Bolt M10X30 for lower tensioning tube No.5	24
16	Knitting Rope for Roof Cover (4 bundles)	1 bag
17	Cable Tie for Front and Back Cover	65
17A	Knitting Rope for Front and Back Cover (2 bundles)	1 bag
18	Double Fork Wrench	2
19	Double Fork Wrench	2

Frame Installation

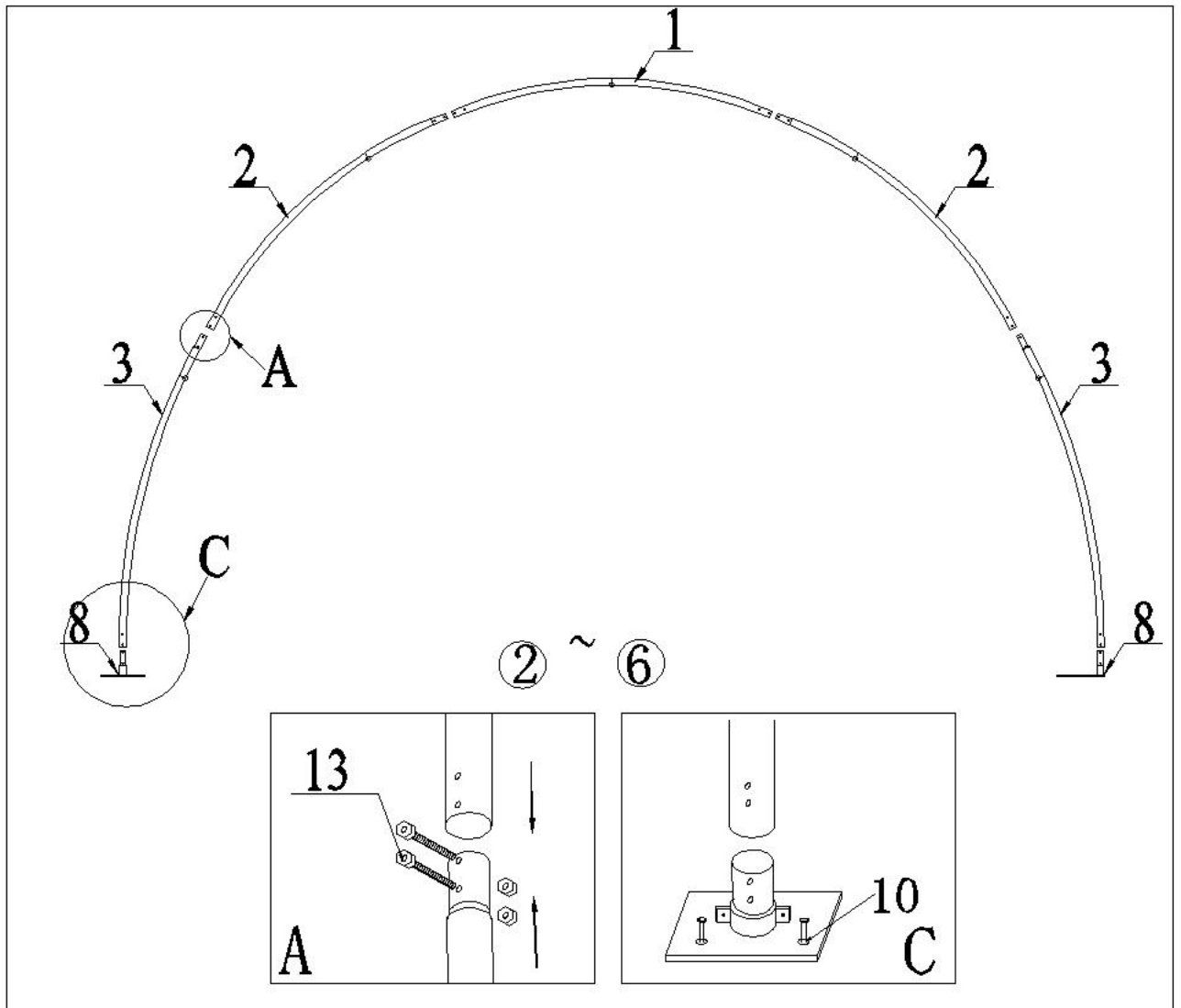
Step 1: base plates and stake pegs



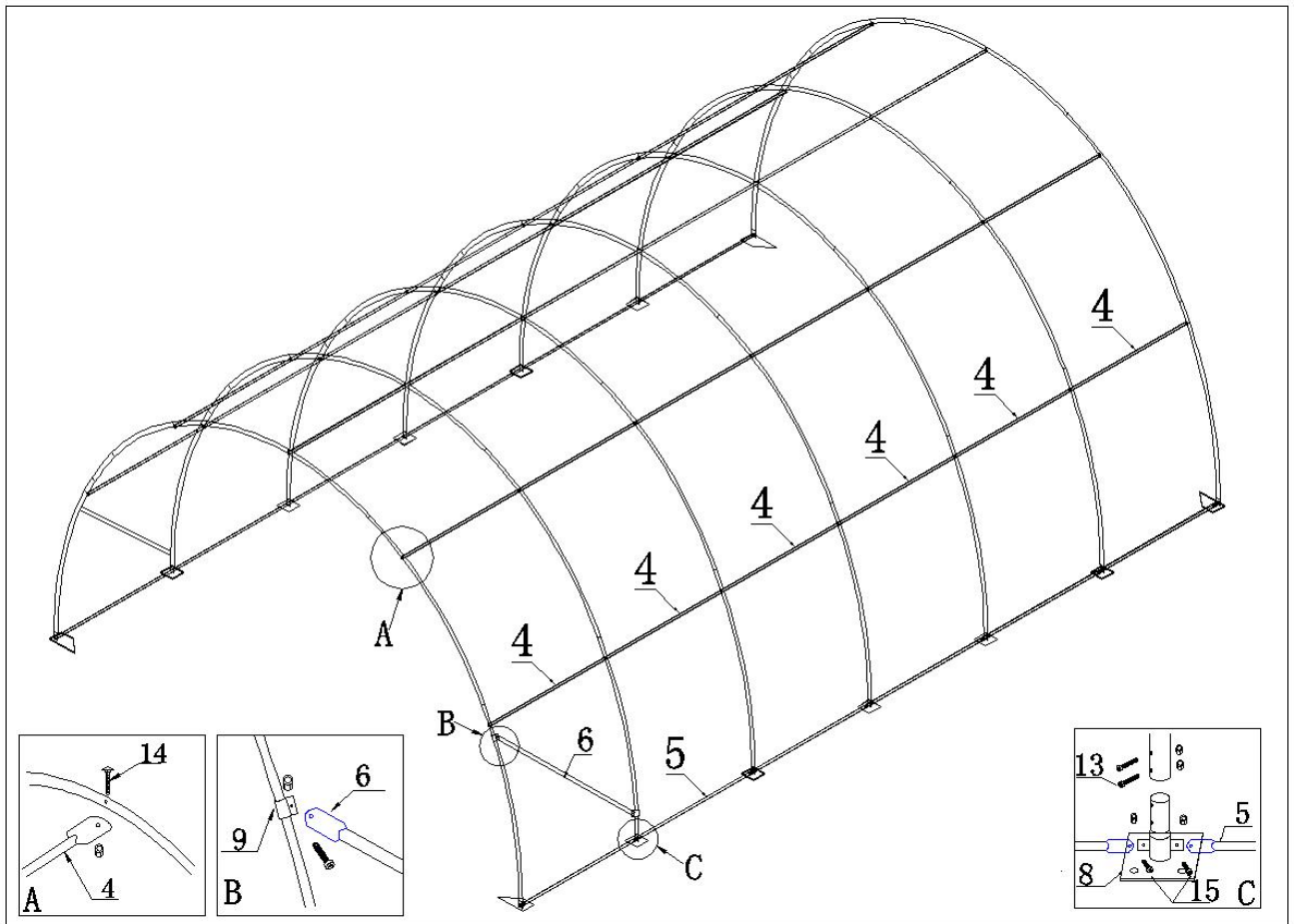
Step 2: end arch No.1 and No.7



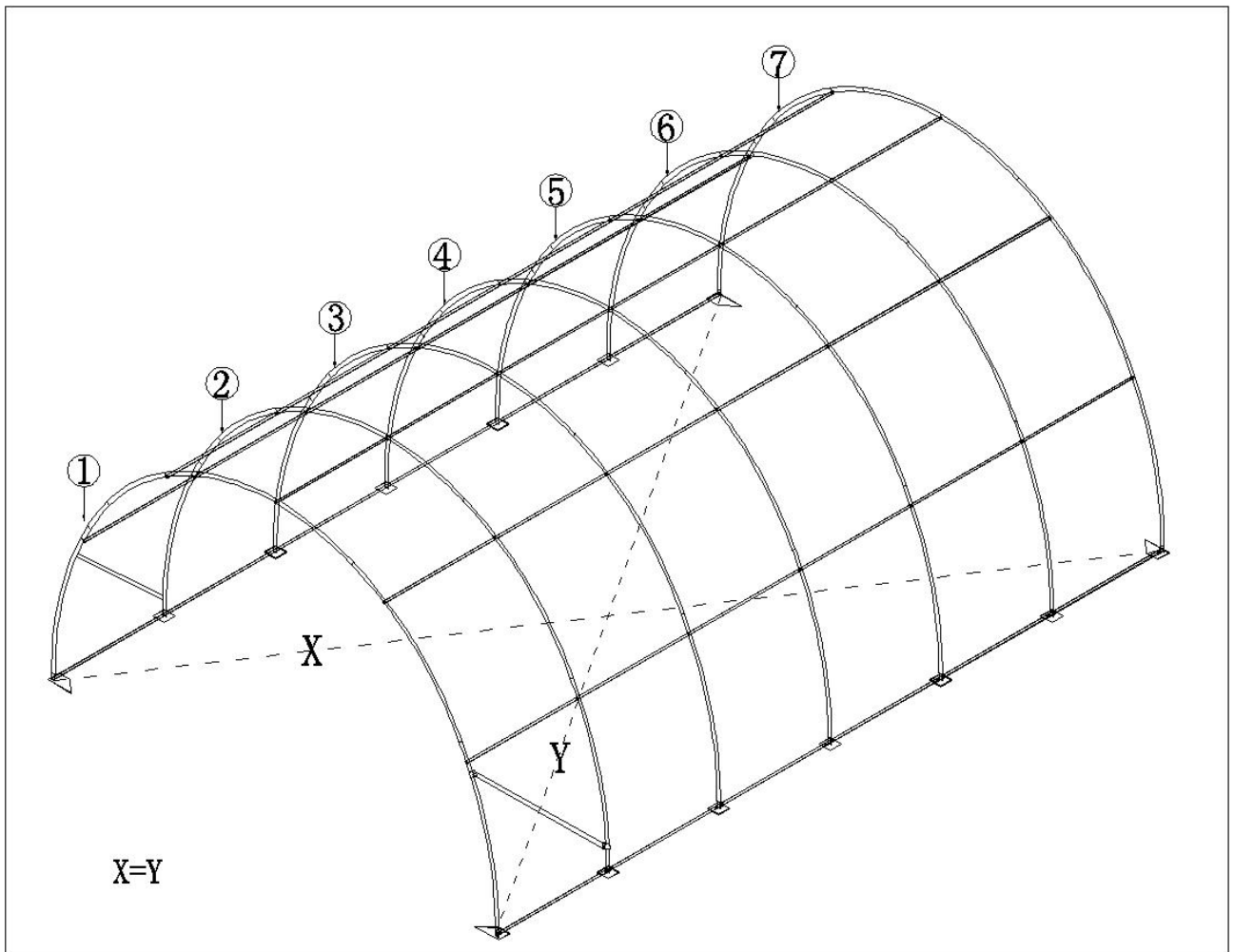
Step 3: middle arch No.2 to No.6



Step 4: purlins and support tubes



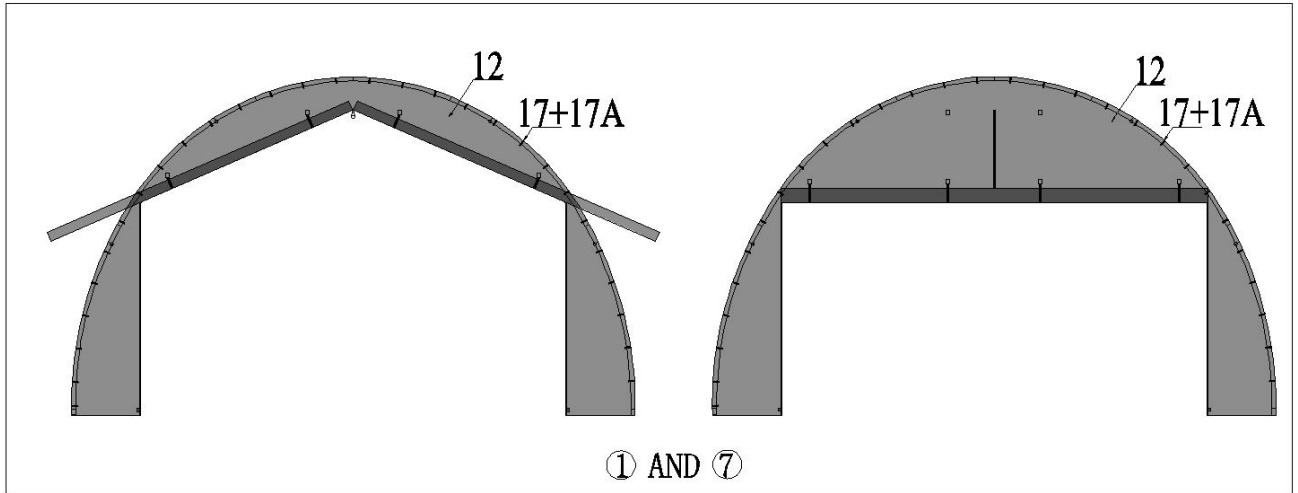
Step 5: squaring up the frame and fix base plates by stake pegs



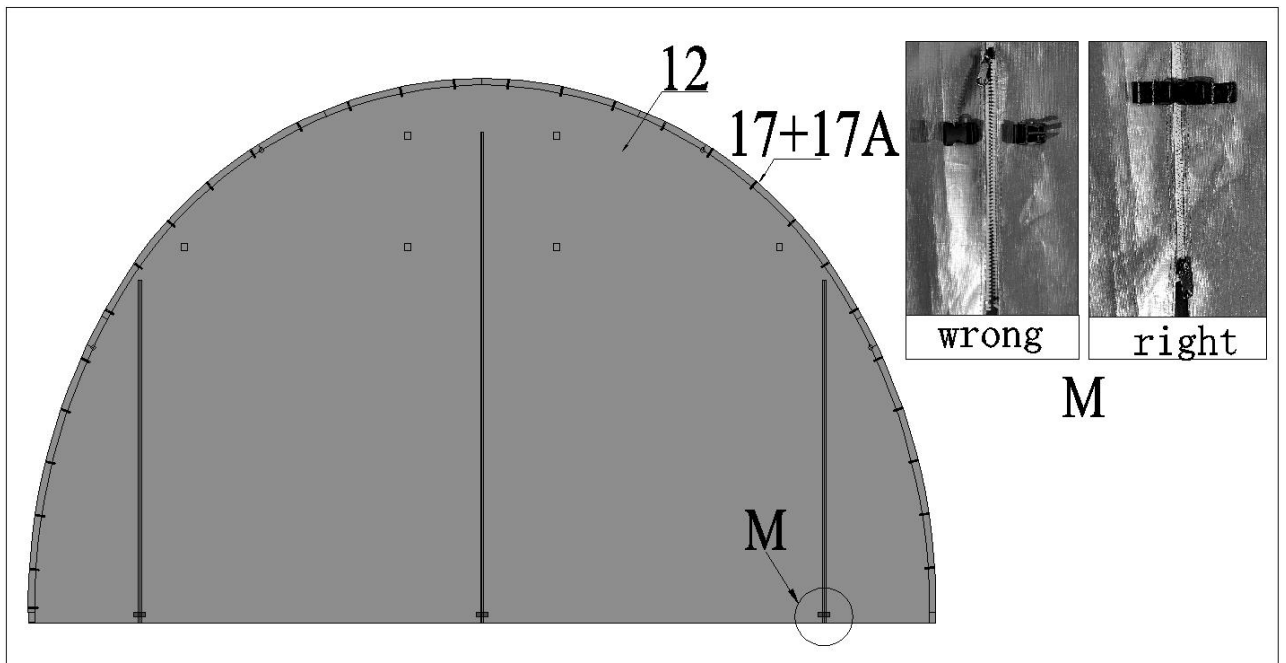
Cover Installation

Step 1: front and back cover with door

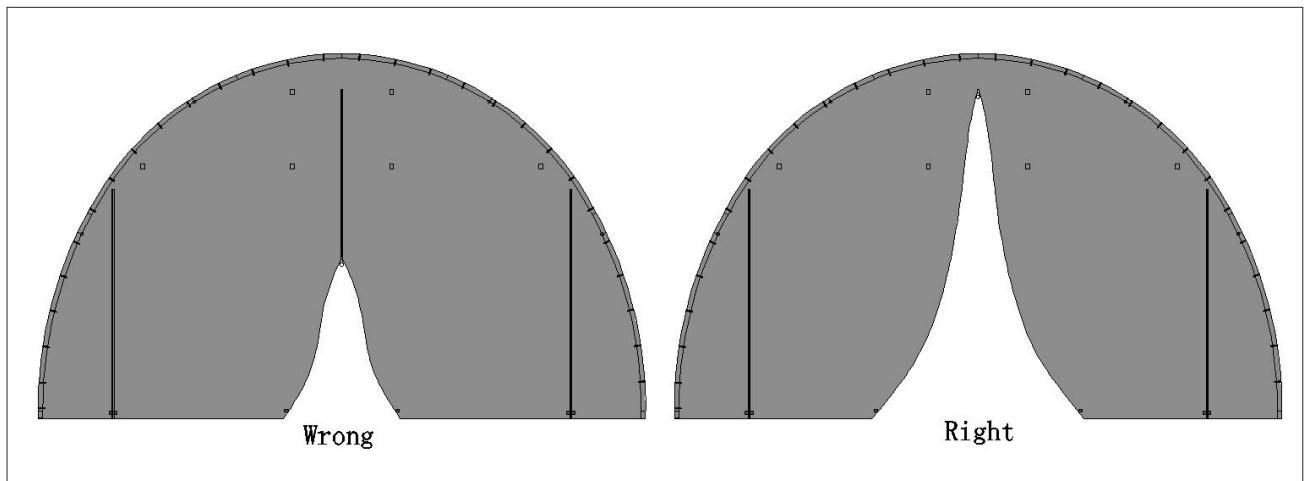
Different Way of Rolling-up Door



Note: After the zipper is pulled in place, the buckle needs to be fixed.



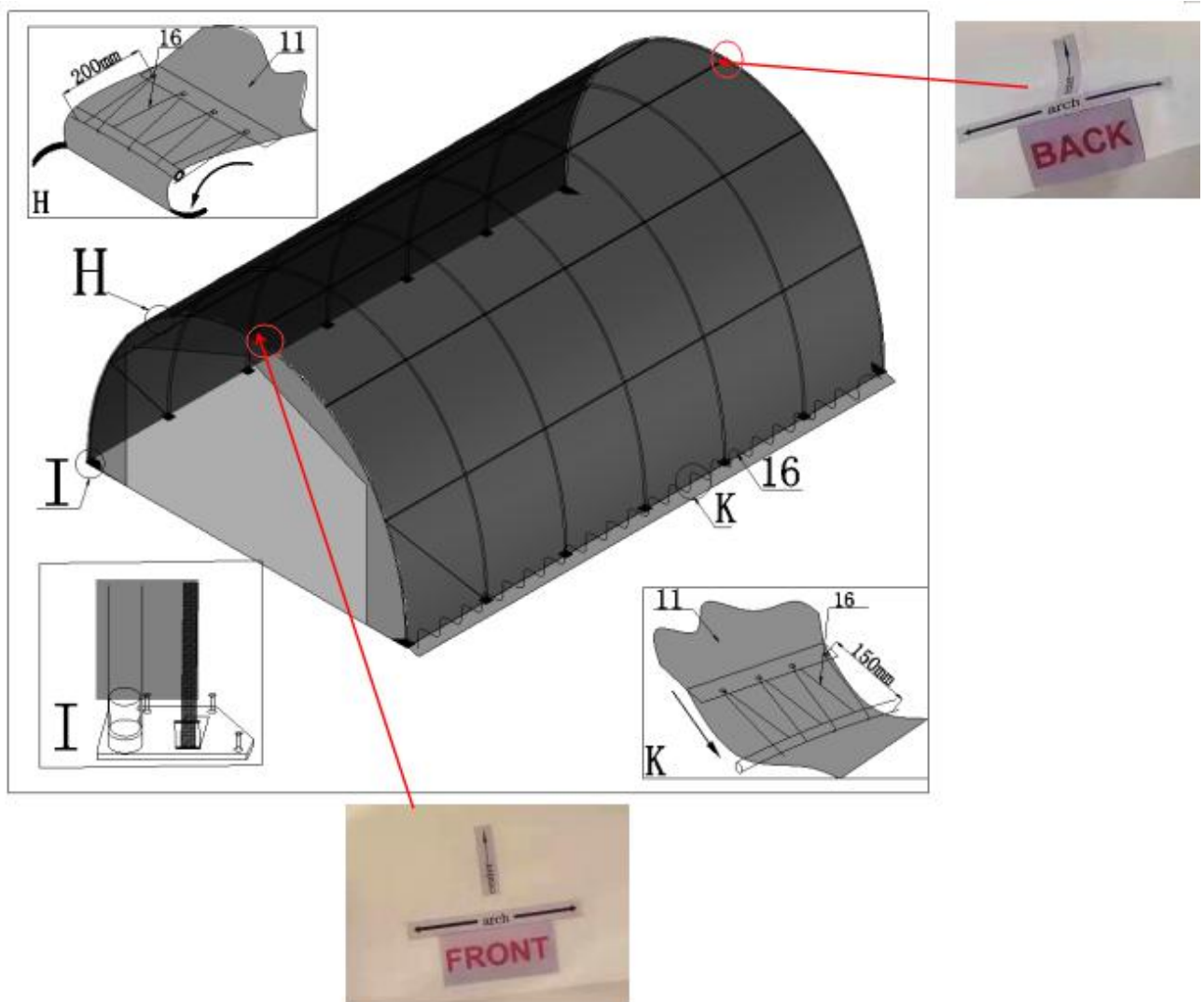
Note: In order to prevent being damaged by the wind, when the zipper is in the open state, it cannot stay in the middle position and needs to be pulled to the top.



Step 2: roof cover

The straps and hang tag shows for the front and back edge of the roof cover.

The label of “front arch” and “back arch” is pasted to the roof cover, the “arch” mark must touch the joint of end wall arch and top purlins.



Now your assembly is completed.