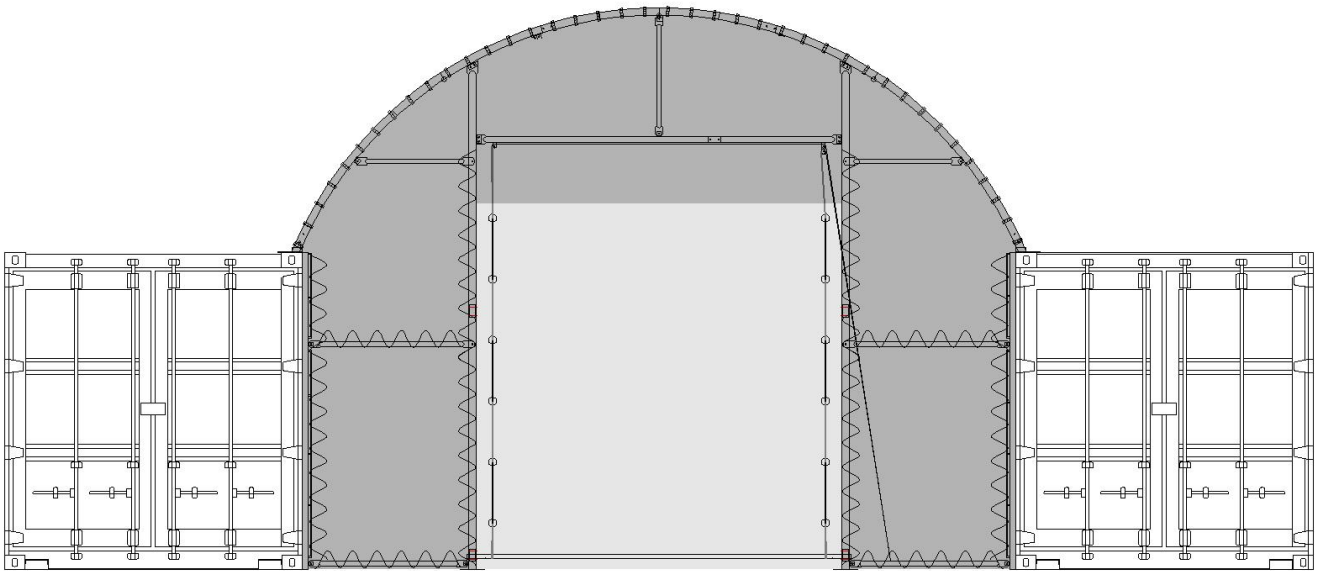
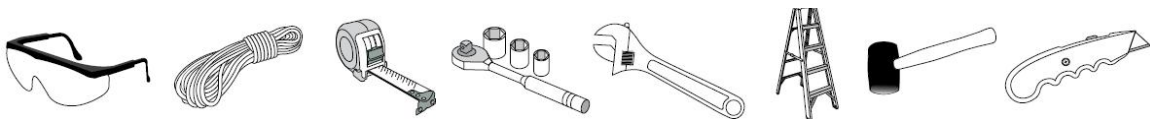


# Assembly Instructions for End Panel of Container Shelter 2020 or 2040



## RECOMMENDED TOOLS



## RECOMMENDED TOOLS

# Equipment List

Speed Wrench 22#.23#.24#	
Hammer (30lb)	
Rope (12#)	
Long Tape (50m)	
Hammer Drill*1	
Lifter*2	
Crane*1	
Forklift*1	
Protective equipment	

## **YOU MUST READ THIS DOCUMENT BEFORE YOU BEGIN TO ASSEMBLE THE SHELTER.**

Thank you for purchasing our shelter. When properly assembled and maintained, this product will provide years of reliable service. These instructions include helpful hints and important information needed to safely assemble and properly maintain the shelter. Please read these instructions **before** you begin.

If you have any questions during the assembly, please contact local dealer for assistance.

### **SAFETY PRECAUTIONS**

- . Wear eye protection.
- . Wear head protection
- . Wear gloves when handling metal tubes
- . Use a portable GFCI (Ground Fault Circuit Interrupter) when working with power tools and cords.
- . Do not climb on the shelter or framing during or after construction.
- . Do not occupy the shelter during high winds, tornadoes, or hurricanes.
- . Provide adequate ventilation if the structure is enclosed.
- . Do not store hazardous materials in the shelter.
- . Provide proper ingress and egress to prevent entrapment.

### **ANCHORING INSTRUCTIONS**

Prior to assembling this shelter, please read the **MUST READ** document included with the shipment.

**⚠ WARNING:** The anchor assembly is an integral part of the shelter construction. Improper anchoring may cause shelter instability and failure of the structure. Failing to anchor the shelter properly **will void the manufacturer's warranty** and may cause serious injury and damage.

### **LOCATION**

Choosing the proper location is an important step before you begin to assemble the structure.

The following suggestions and precautions will help you determine whether your selected location is the best location.

- . Never erect the structure under power lines.
- . Identify whether underground cables and pipes are present **before** preparing the site or anchoring the structure.
- . Location should be away from structures that could cause snow to drift on or around the building
- . Do not position the shelter where large loads such as snow and ice, large tree branches, or other overhead obstacles could fall.


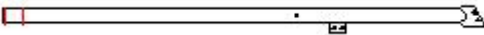






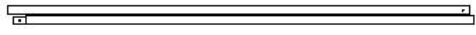
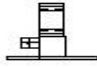

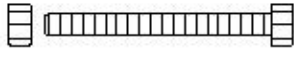
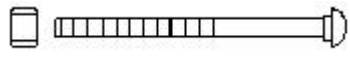
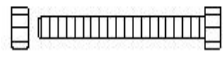
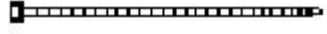

### **SITE**

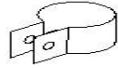
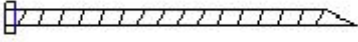
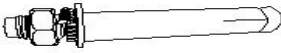
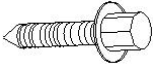

After choosing a location, proper preparation of the site is essential. The following site characteristics will help ensure the integrity of the structure.

- . The support structure must be level to properly and safely erect and anchor the frame.
- . Drainage: Water draining off the structure and from areas surrounding the site should drain away from the site to prevent damage to the site, the structure, and contents of the structure.

**⚠ WARNING:** The individuals assembling this structure are responsible for designing and furnishing all temporary bracing, shoring and support needed during the assembly process. For safety reasons, those who are not familiar with recognized construction methods and techniques **must seek the help of a qualified contractor.**

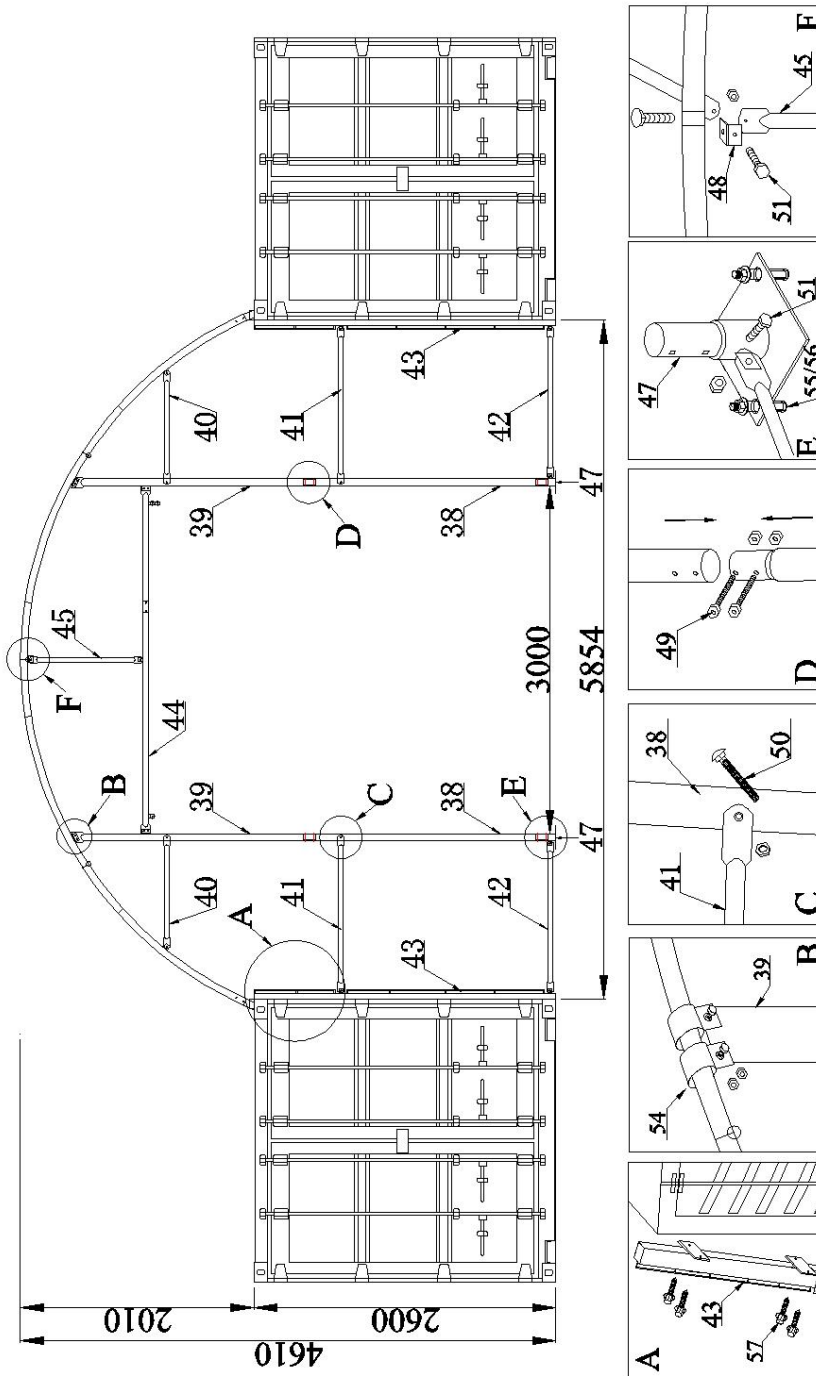
### End Panel for Container Shelter 2020 or 2040

No.	Description	Drawing	Q'ty
38	uprights		2
39	upright(left&right)		2
40	rails		2
41	rails		2
42	rails		2
43	square steel tube(left&right)		2
44	cross bar		1
45	hanging rod		1
46	vertical tube		1
47	base plate		2
48	angel seat		1
49	bolt M8x70		10+2
50	carriage bolt M10x80		4+1
51	bolt M10x30		18+2
52	nylon zipper tie 40CM		30+5
53	ropes		45

54	pipe clip		6
55	stake anchor M16*600		4
56	dyna bolt 16*150		4+2
57	drilling bolt M8*25		16+2
58	roof cover		1

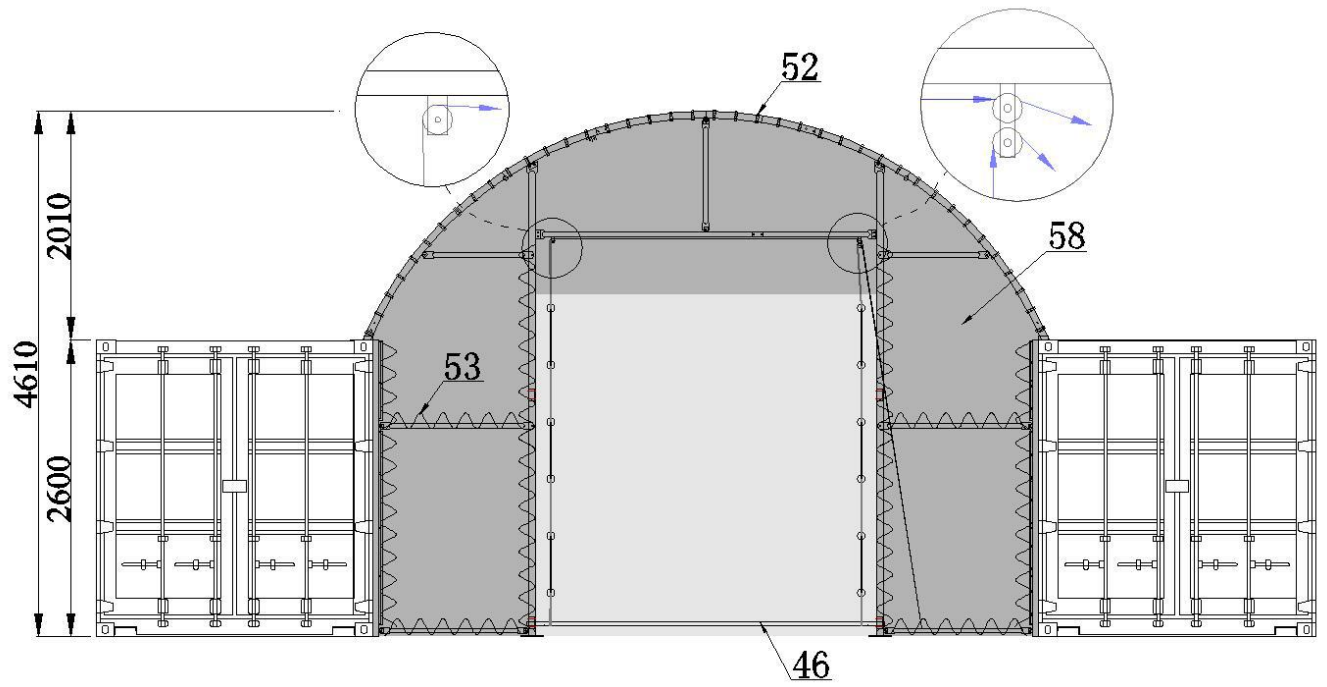
# Installation for end wall of container shelter 2020 or 2040

The end wall installation as the below figure:



## Installation for wall cover

The edge of wall cover is fixed to the end wall arches with 40CM nylon tie No.52, the other parts is tied to the cross bar with ropes No.53 .



**The installation is completed!**