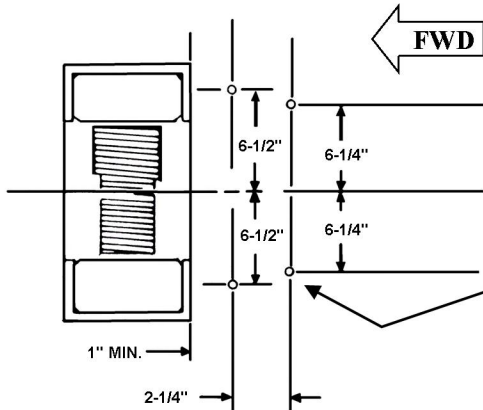


MOUNTING INSTRUCTIONS

17-2N Cable Tensioner



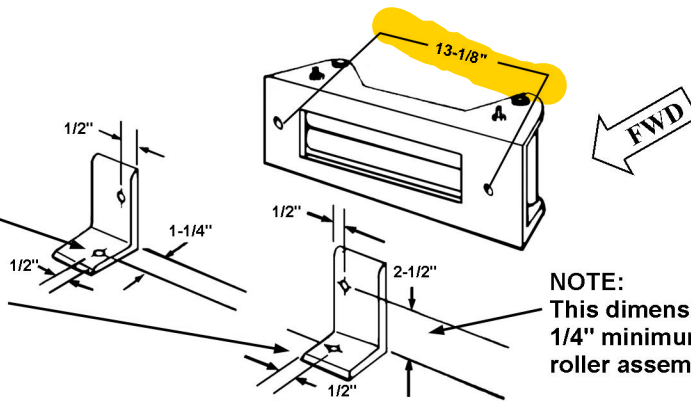
It is recommended that, where vertical deflections are going to be present, all four holes should be used.

Typical installation on truck bed with recessed winch and 11" wide roller assembly.

Drill four 9/16" diameter holes in bed for mounting.

Drill two 9/16" holes in angles.

For lowest mounting position fabricate two angles as shown. (One right and one left hand).

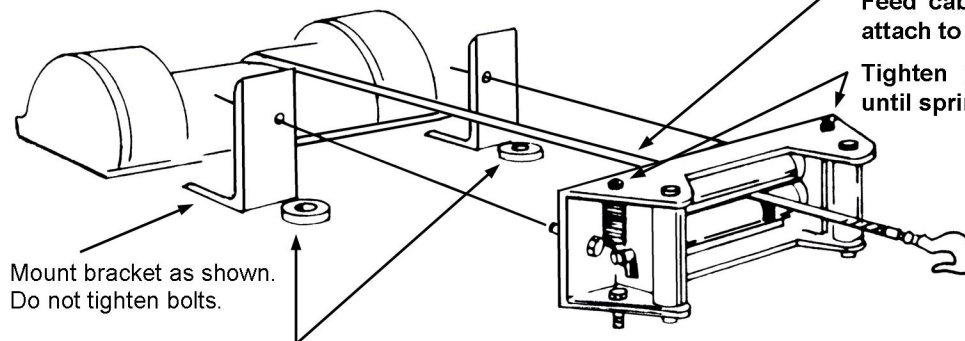


NOTE:
This dimension will allow for 1/4" minimum blocking under roller assembly.

NOTE:
Remove cable from winch drum.

Feed cable between rollers and re-attach to drum.

Tighten nuts on tensioning studs until springs are fully extended.



Mount bracket as shown. Do not tighten bolts.

Place 1/4" spacers over second set of holes in bed.

Install roller assembly.

For use with wire rope 1/4" to 1/2".

8925 McGAW COURT
COLUMBIA, MD 21045-4725
TOLL FREE (800) 327-3301
PHONE (410) 381-1700
FAX (410) 381-6358

